

Specifications:

| | |
|-------------------------|------------------------------------|
| Sound level Category | Medium Sound Level |
| Mode of Operation | Slow Pulse |
| Mounting | Panel (see note B) |
| Voltage Rating | 30 to 120 Vac/dc |
| Frequency | 1900 Hz ±300 Hz |
| Loudness (Min. Voltage) | 60 dB(A) min. @ 2 FT and 30 Vac/dc |
| Loudness (Max Voltage) | 75 dB(A) min. @ 2FT and 120 Vac/dc |
| Current Draw | 6 mA Max @ 30 Vac/dc |
| Current Draw | 20 mA Max @ 120 Vac/dc |
| Min. Pulse Rate (PPS) | 0.5 @ 30 Vac/dc |
| Max. Pulse Rate (PPS) | 2.0 @ 120 Vac/dc |
| Duty Cycle (%) | 50 (Approx) |
| Storage Temperature | -40°C to +85°C |
| Operating Temperature | -30°C to +65°C |
| Weight (Typical) | 2.7 oz (76 g) |
| Housing | 6/6 Nylon, Color Black |
| Options | For other options contact factory |

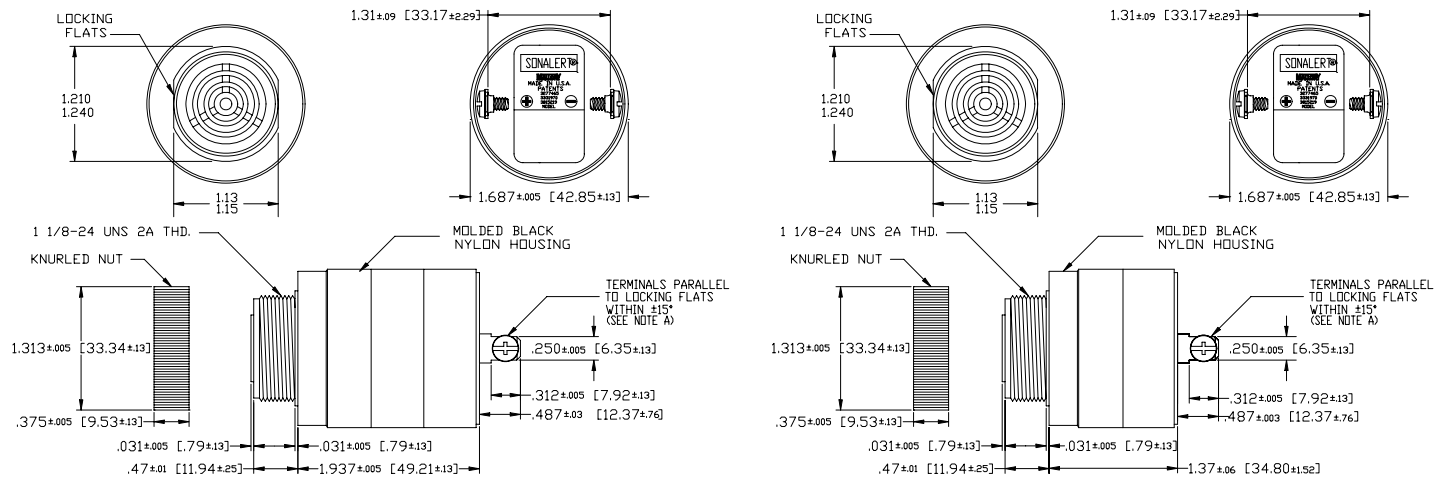
Dimensions: Inches (mm)

UL Recognized 

RoHS Compliant

PART DIMENSIONS BEFORE CODE DATE 0809 5

PART DIMENSIONS AFTER CODE DATE 0810 1



NOTE A: TERMINALS-.032 BRASS TIN PLATED, TAPPED FOR #6-32 SCREW. TWO #6-32 NICKEL PLATED BRASS SCREWS INCLUDED. WILL ACCEPT 1/4" QUICK CONNECT.

NOTE B: MOUNTING- REMOVE BLACK PLASTIC NUT AND INSERT THREADED FRONT THROUGH 1.25" HOLE PUNCHED IN PANEL. IF ORIENTATION IS NEEDED, NOTE LOCKING FLATS ON DRAWING. SCREW NUT BACK ON. DO NOT OVERTIGHTEN.

NOTE A: TERMINALS-.032 BRASS TIN PLATED, TAPPED FOR #6-32 SCREW. TWO #6-32 NICKEL PLATED BRASS SCREWS INCLUDED. WILL ACCEPT 1/4" QUICK CONNECT.

NOTE B: MOUNTING- REMOVE BLACK PLASTIC NUT AND INSERT THREADED FRONT THROUGH 1.25" HOLE PUNCHED IN PANEL. IF ORIENTATION IS NEEDED, NOTE LOCKING FLATS ON DRAWING. SCREW NUT BACK ON. DO NOT OVERTIGHTEN.